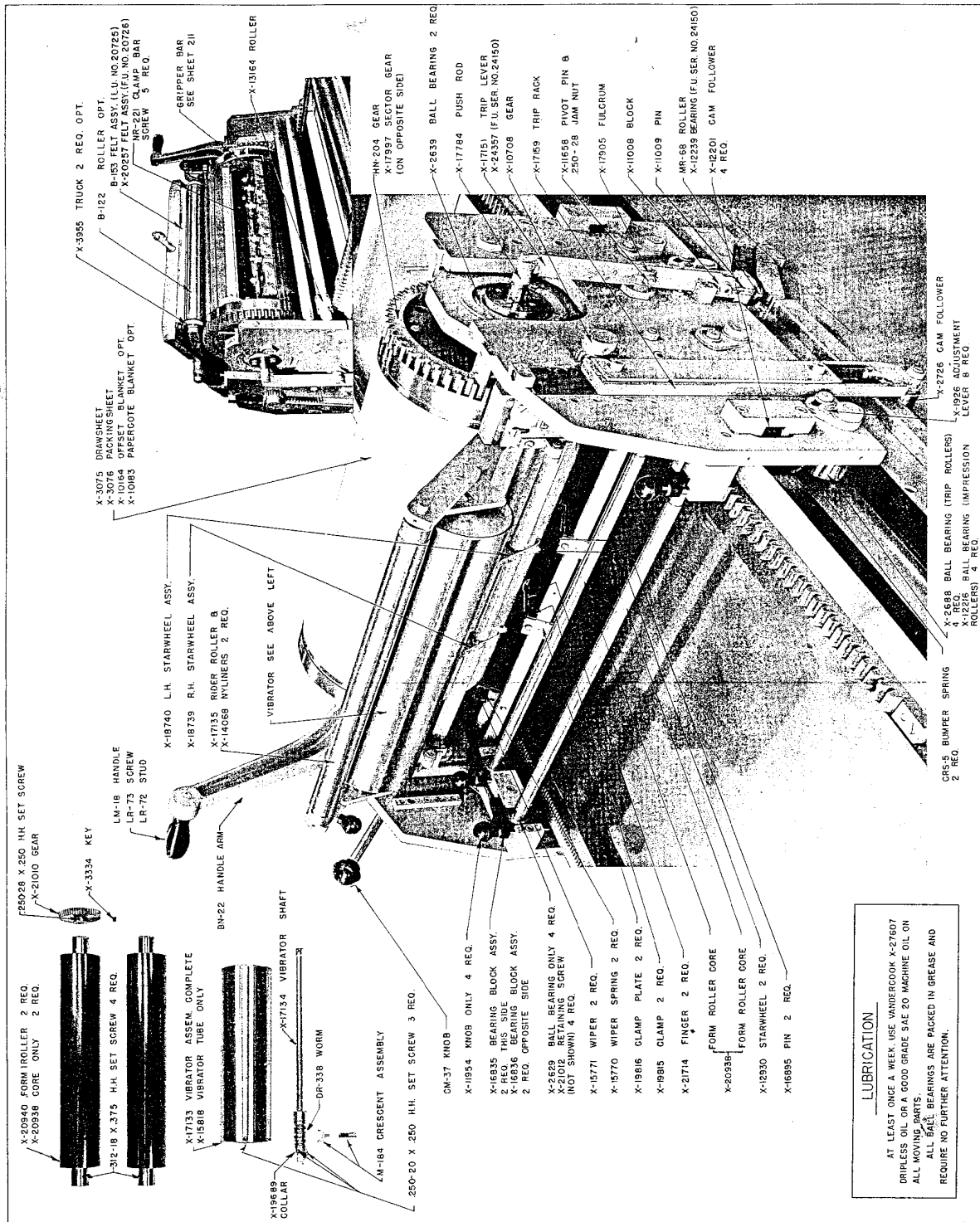


Order Vandercook parts and print manuals from:

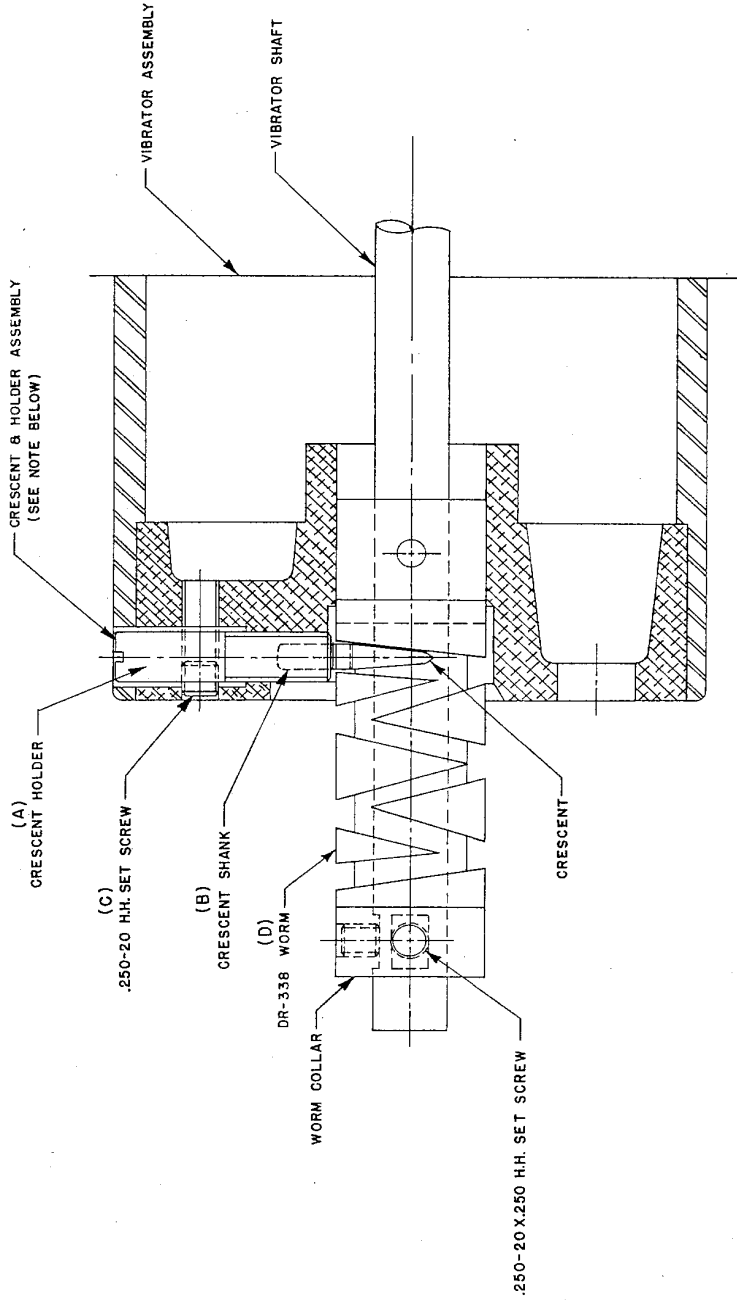
NA GRAPHICS
P.O. 467
Silverton, CO 81433

Phone: (970)387-0212
Fax: (970) 387-0127
nagraph@frontier.net



LUBRICATION

AT LEAST ONCE A WEEK, USE VANDERCOOK X-27607
 DRIPLESS OIL OR A GOOD GRADE SAE 20 MACHINE OIL ON
 ALL MOVING PARTS.
 ALL BALL BEARINGS ARE PACKED IN GREASE AND
 REQUIRE NO FURTHER ATTENTION.

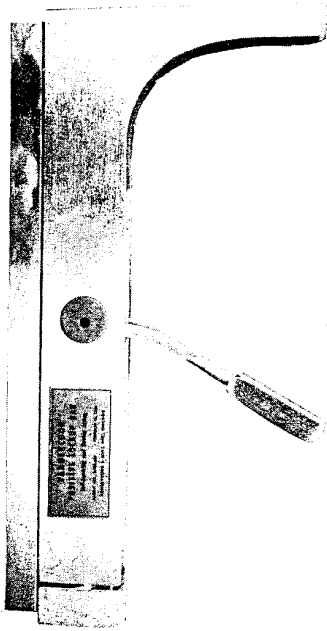


PARTIAL SECTION VIEW OF INK DRUM VIBRATOR ASSEMBLY

- ① ADJUST CRESCENT HOLDER-(A) UNTIL IT TOUCHES END OF CRESCENT SHANK-(B). THEN BACK OFF 3/4 OF A TURN AND LOCK HOLDER WITH .250-20 H.H. SET SCREW-(C). THIS SETTING MUST ALLOW WORM-(D) TO ROTATE FREE OF ANY DRAG, TRAVELING FULL LENGTH BOTH DIRECTIONS.
- ② COAT VIBRATOR WORM WITH GRAPHITE GREASE OR VASELINE.

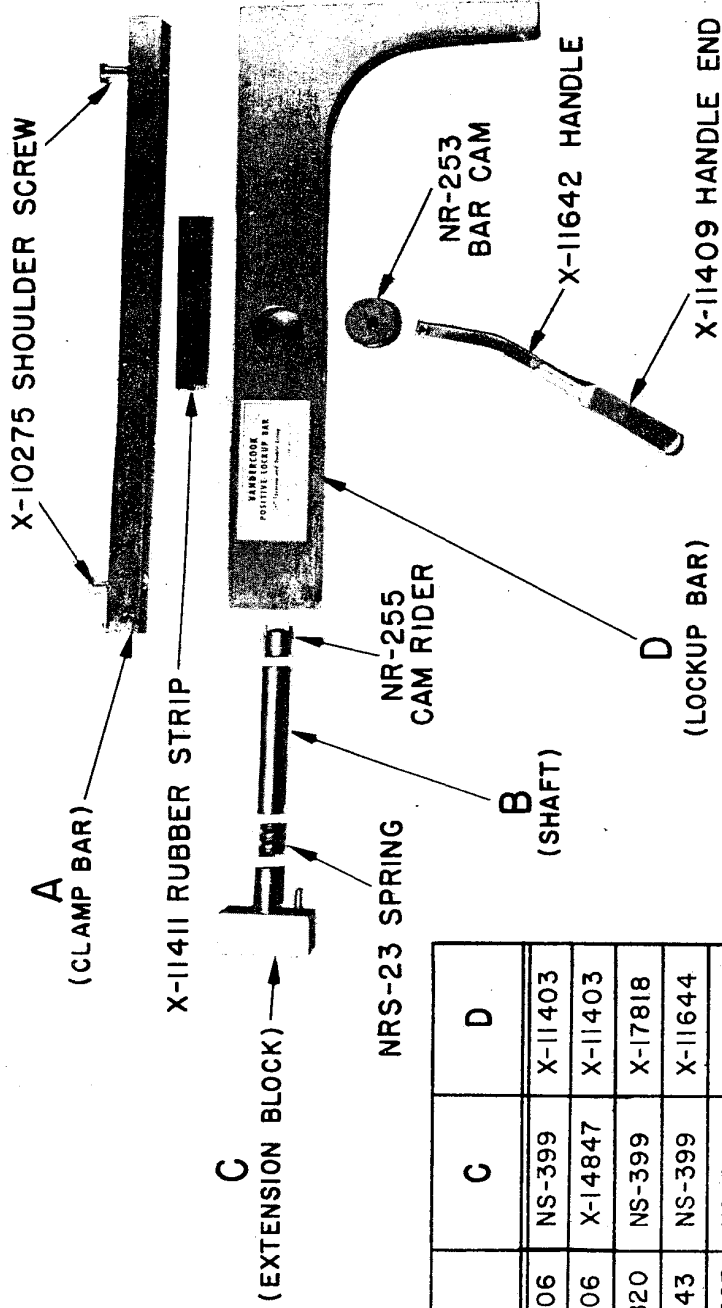
NOTE— CRESCENT AND HOLDER ASSEMBLY AS SHOWN IS PART NO. M-184. THE ABOVE INSTRUCTIONS APPLY ALSO TO X-2031 CRESCENT AND HOLDER ASSEMBLY (NOT SHOWN).

CRESCENT OR WORM REPLACEMENT INSTRUCTIONS

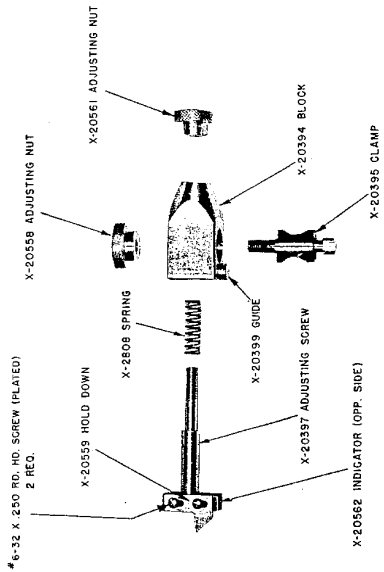


LOCKUP BAR ASSEMBLY (COMPLETE)

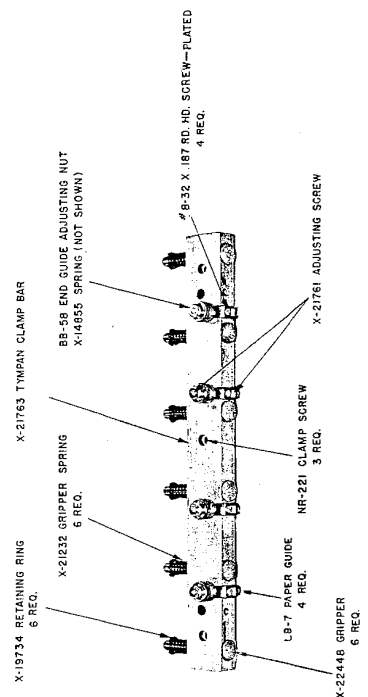
VANDERCOOK MODEL NO.	PART NO.	WIDTH
3, 4, SP15, 15-20, 15-21	X-11410	15.000"
UNIVERSAL I	X-14848	15.500"
319	X-17800	18.250"
UNIVERSAL II, III, 219 (ALL)	X-11645	19.000"
SP20	X-20322	20.062"
425	X-17000	24.250"
325	X-11897	25.000"
SP25	X-23071	25.250"



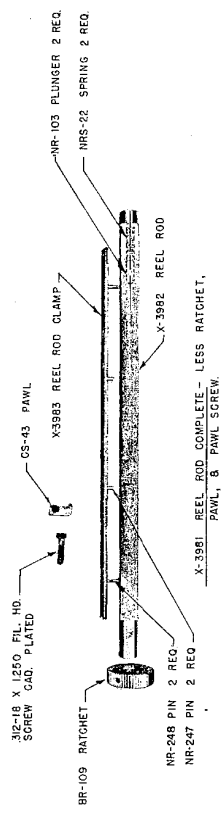
VANDERCOOK MODEL NO.	A	B	C	D
3, 4, SP15, 15-21	X-11405	X-11406	NS-399	X-11403
UNIVERSAL I	X-11405	X-11406	X-14847	X-11403
319	X-17819	X-17820	NS-399	X-17818
UNIV. II, III, 219	X-11646	X-11643	NS-399	X-11644
SP20	X-11896	X-20323	NS-399	X-11886
425	X-17005	X-17004	NS-3999	X-17003
325	X-11899	X-11898	NS-399	X-11887
SP25	X-11899	X-11898	X-23072	X-11887



X-20556 SIDE GUIDE ASSEMBLY (COMPLETE)



X-21768 GRIPPER BAR ASSEMBLY (COMPLETE)



X-24503 WIPER BLADE
X-22499 CLAMP BAR (NOT SHOWN)



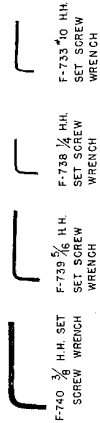
F-778 SCREWDRIVER



B-113 ROLLER SETTING GAUGE

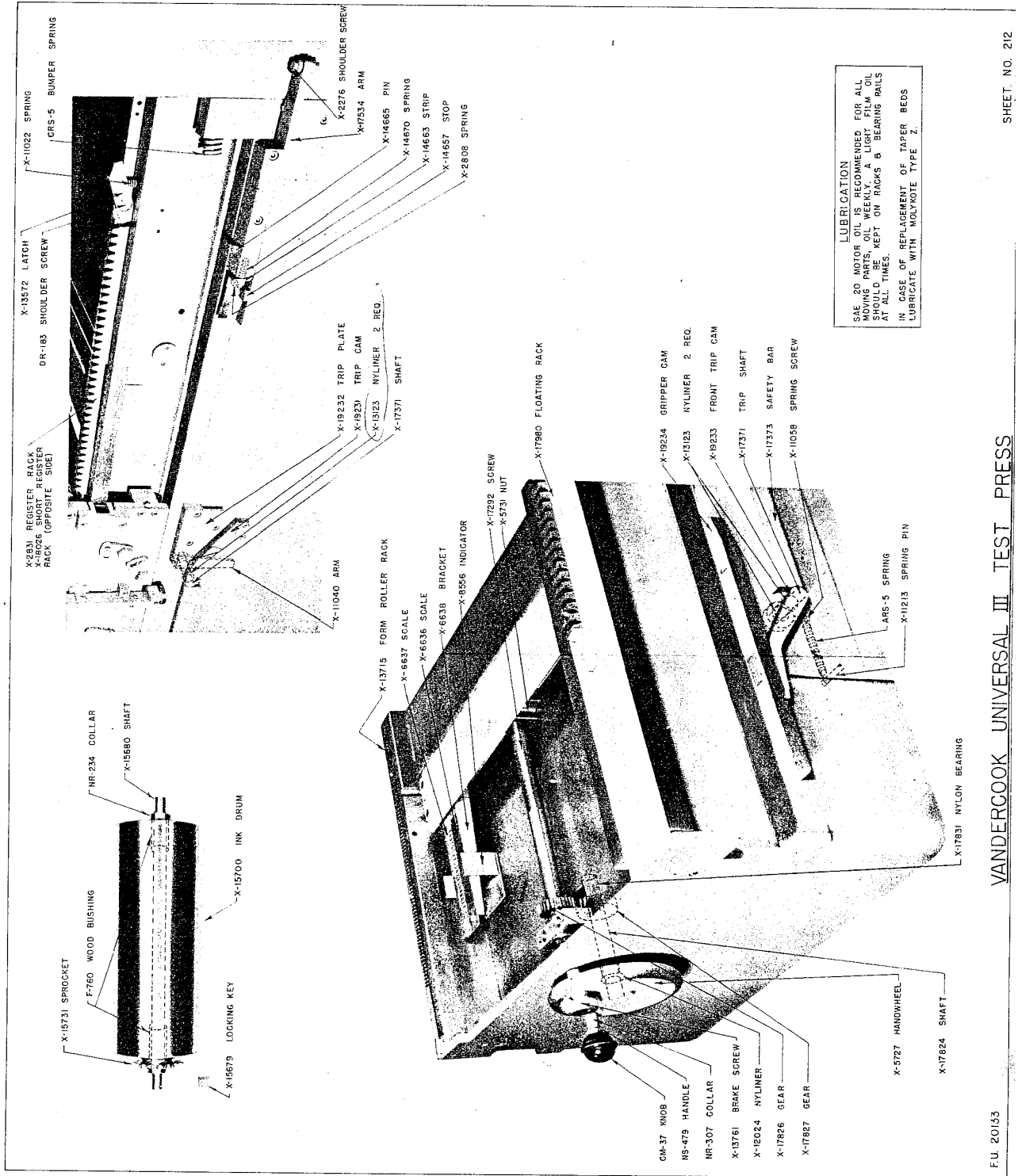


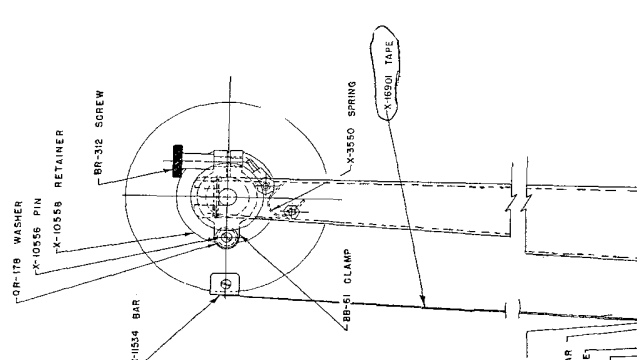
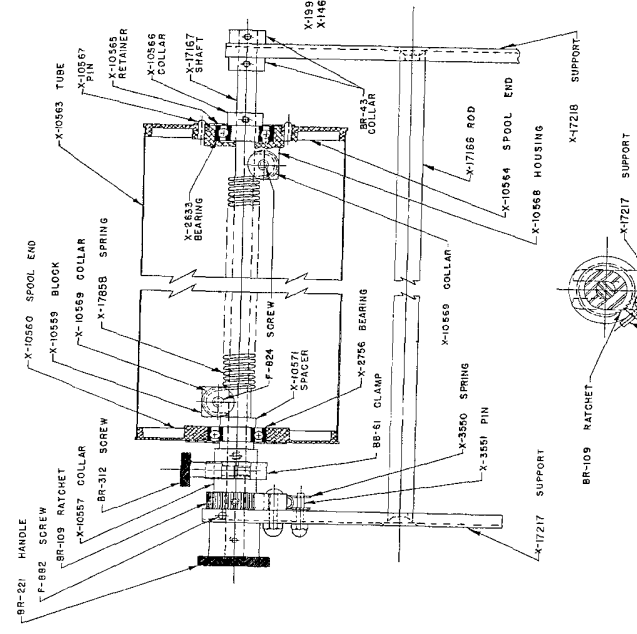
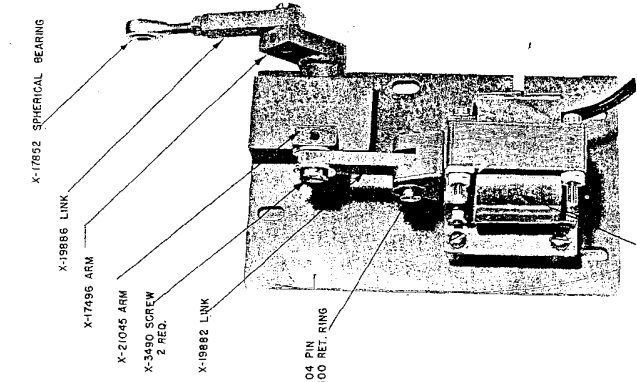
F-144 3/4 OPEN END WRENCH



F-740 3/4 H.H. SET SCREW WRENCH
F-739 1/2 H.H. SET SCREW WRENCH
F-733 1/0 H.H. SET SCREW WRENCH

X-18021 TOOL SET (COMPLETE)





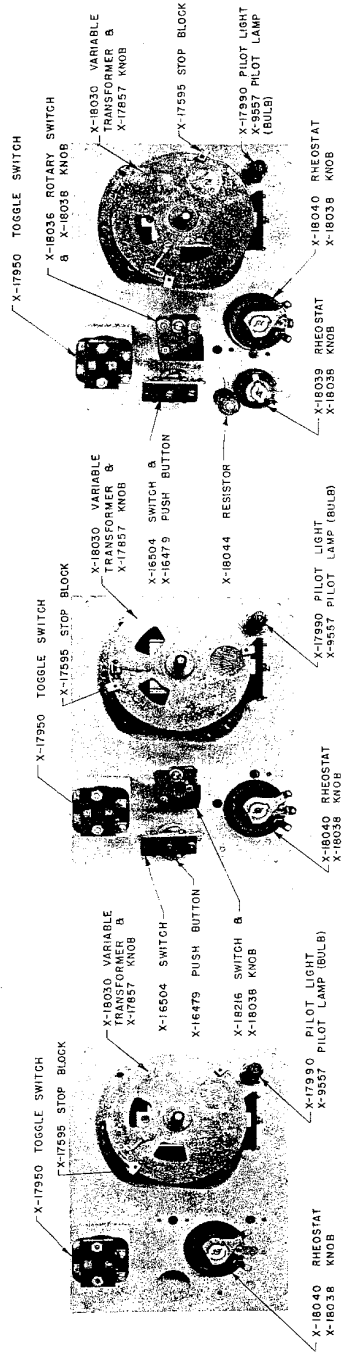
X-19879 SOLENOID (FOR 60 CYCLES)
 X-19880 SOLENOID (FOR 50 CYCLES)
 LUBRICATE LINKAGE WEEKLY
 X-20202-1
 AUTO-GRIPPER OPENER
 (E.L. 220B)

LUBRICATION
 AT LEAST ONCE A WEEK, USE VANDERCOOK X-27607
 DRIFLESS OIL OR A GOOD GRADE SAE 20 MACHINE OIL ON
 ALL MOVING PARTS.
 ALL BALL BEARINGS ARE PACKED IN GREASE AND
 REQUIRE NO FURTHER ATTENTION.

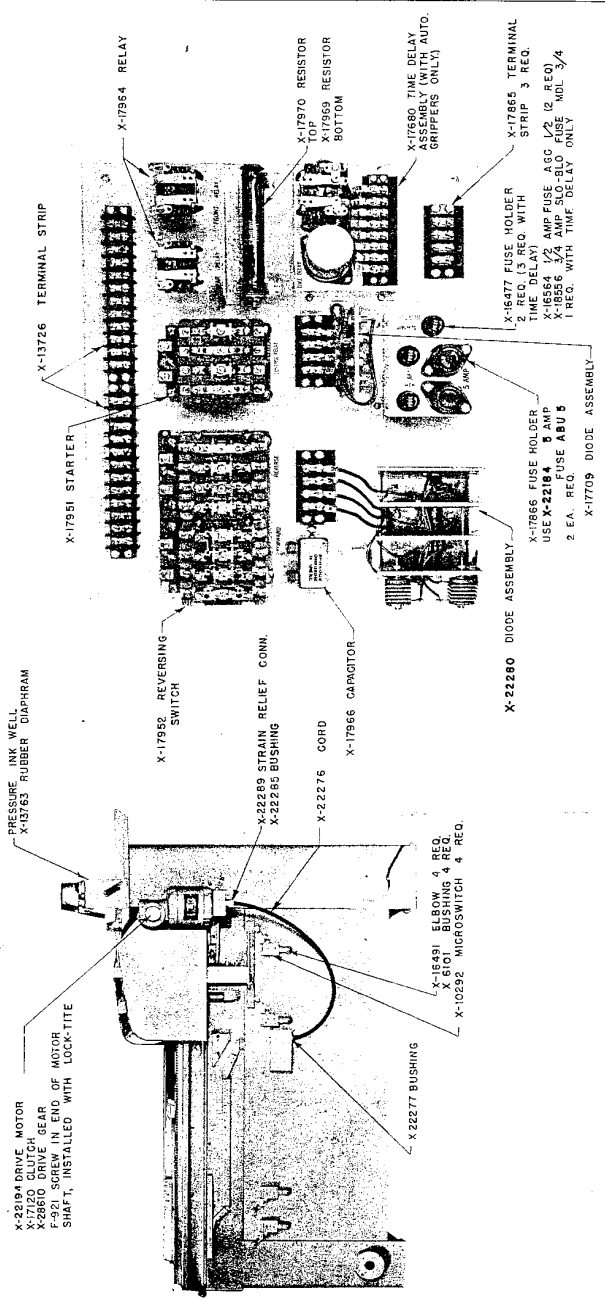
CONTROL STATION - PLAIN POWER
X-17949 COMPLETE ASSEMBLY

CONTROL STATION - WITH AUTOMATIC TAPE DELIVERY
X-18287 COMPLETE ASSEMBLY

CONTROL STATION - WITH AUTOMATIC GRIPPER OPENER
X-18288 COMPLETE ASSEMBLY



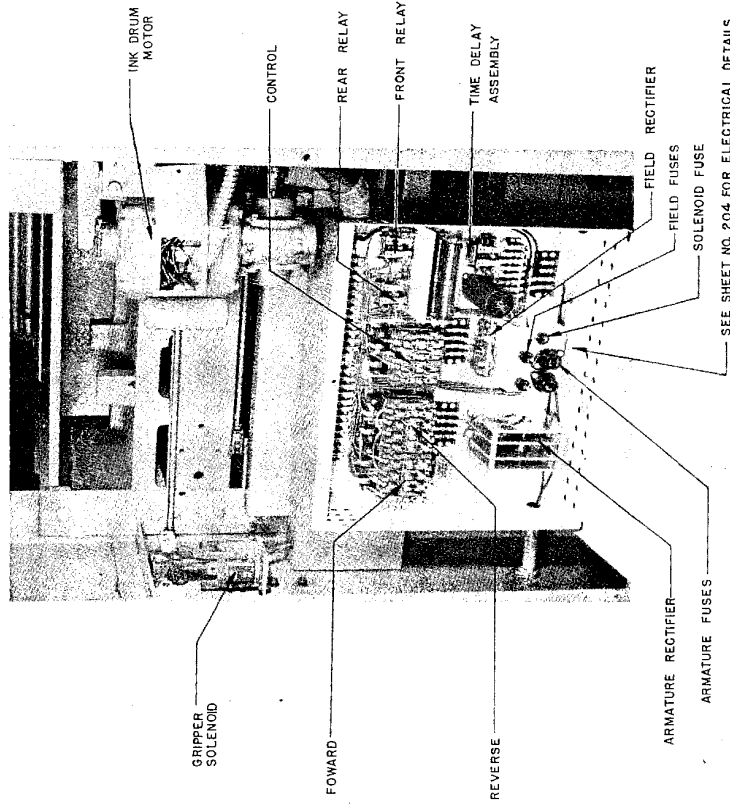
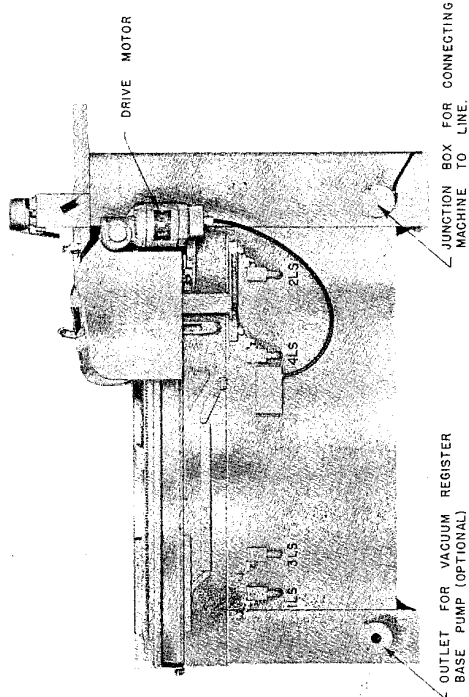
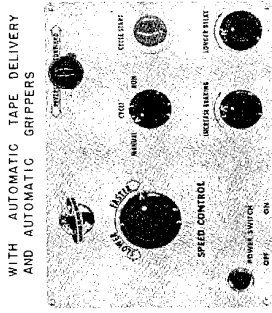
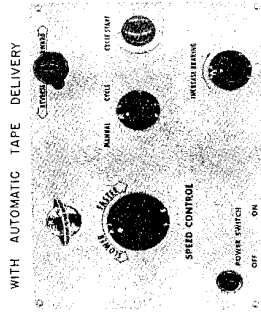
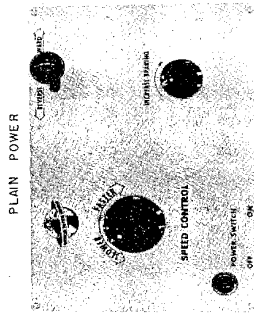
PANEL ASSEMBLY - COMPLETE ASSEMBLY - WITH AUTOMATIC GRIPPER OPENER ONLY
X-18286 - COMPLETE ASSEMBLY - WITH OTHERS
X-18285 - COMPLETE ASSEMBLY - ALL OTHERS



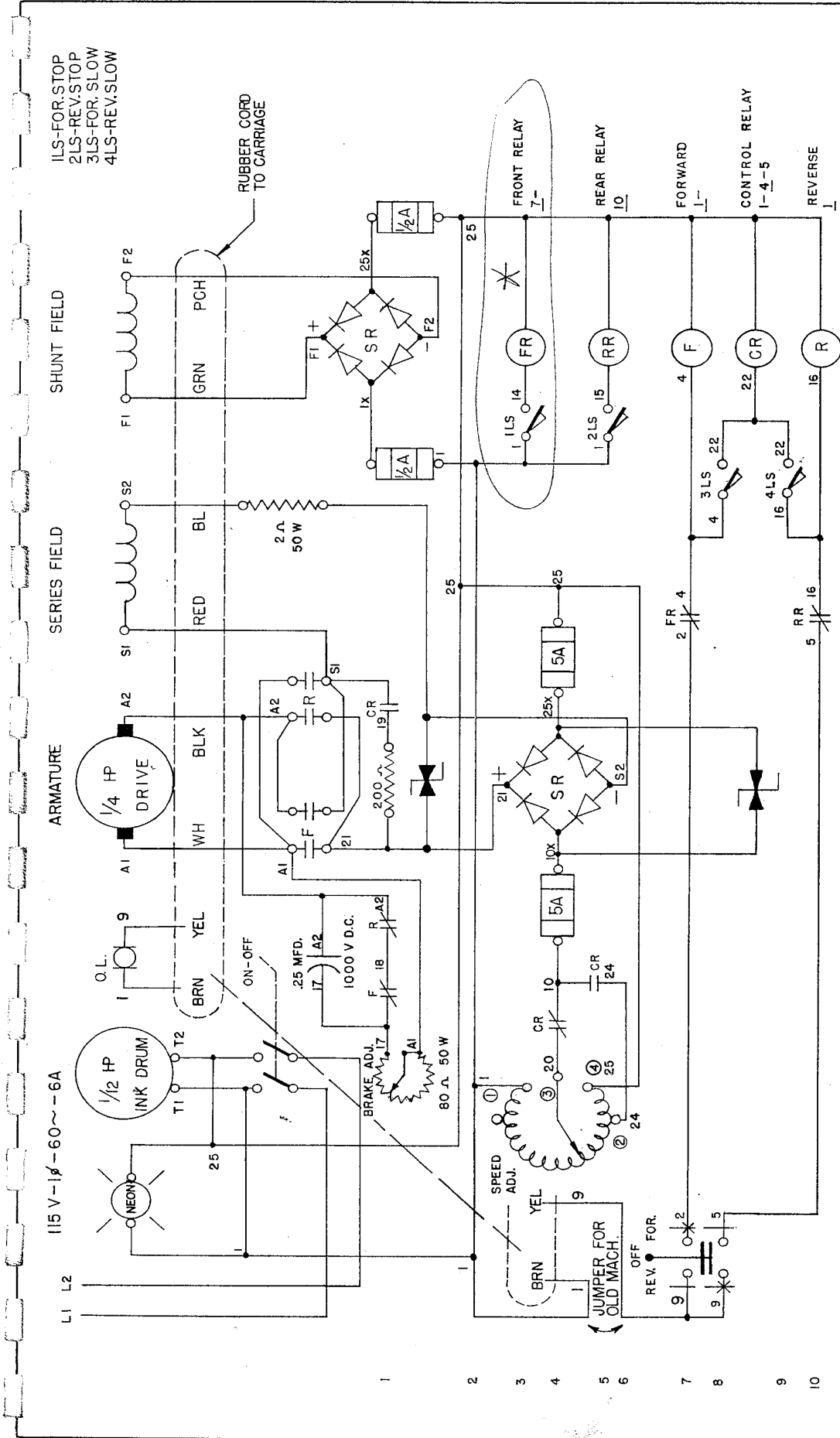
PRESSURE INK WELL
X-13763 RUBBER DIAPHRAM

X-23184 DRIVE MOTOR
X-22670 DRIVE GEAR
F-921 SCREW IN END OF MOTOR SHAFT, INSTALLED WITH LOCK-TITE

POWER DRIVE CONTROL STATIONS



SEE SHEET NO. 204 FOR ELECTRICAL DETAILS



1LS-FOR, STOP
 2LS-REV, STOP
 3LS-FOR, SLOW
 4LS-REV, SLOW

RUBBER CORD
 TO CARRIAGE

SHUNT FIELD

SERIES FIELD

ARMATURE

115 V - 1ϕ - 60 ~ - 6A

115 V-1ϕ-60~-6A

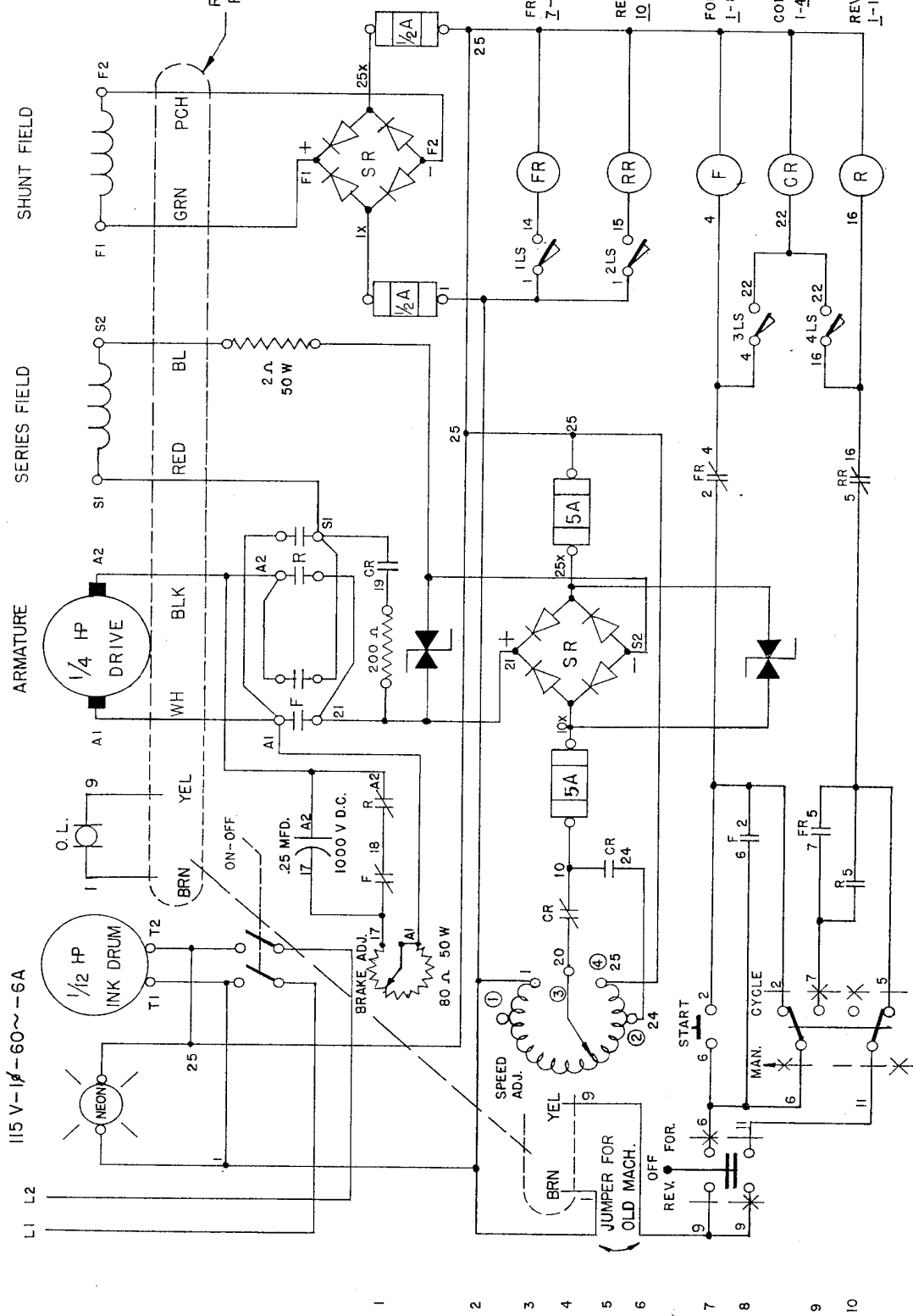
ARMATURE

SERIES FIELD

SHUNT FIELD

ILS-FOR.STOP
2LS-REV.STOP
3LS-FOR.SLOW
4LS-REV.SLOW

RUBBER CORD
FOR CARRIAGE



1LS-FOR, STOP
 2LS-REV, STOP
 3LS-FOR, SLOW
 4LS-REV, SLOW

RUBBER CORD
 TO CARRIAGE

SHUNT FIELD

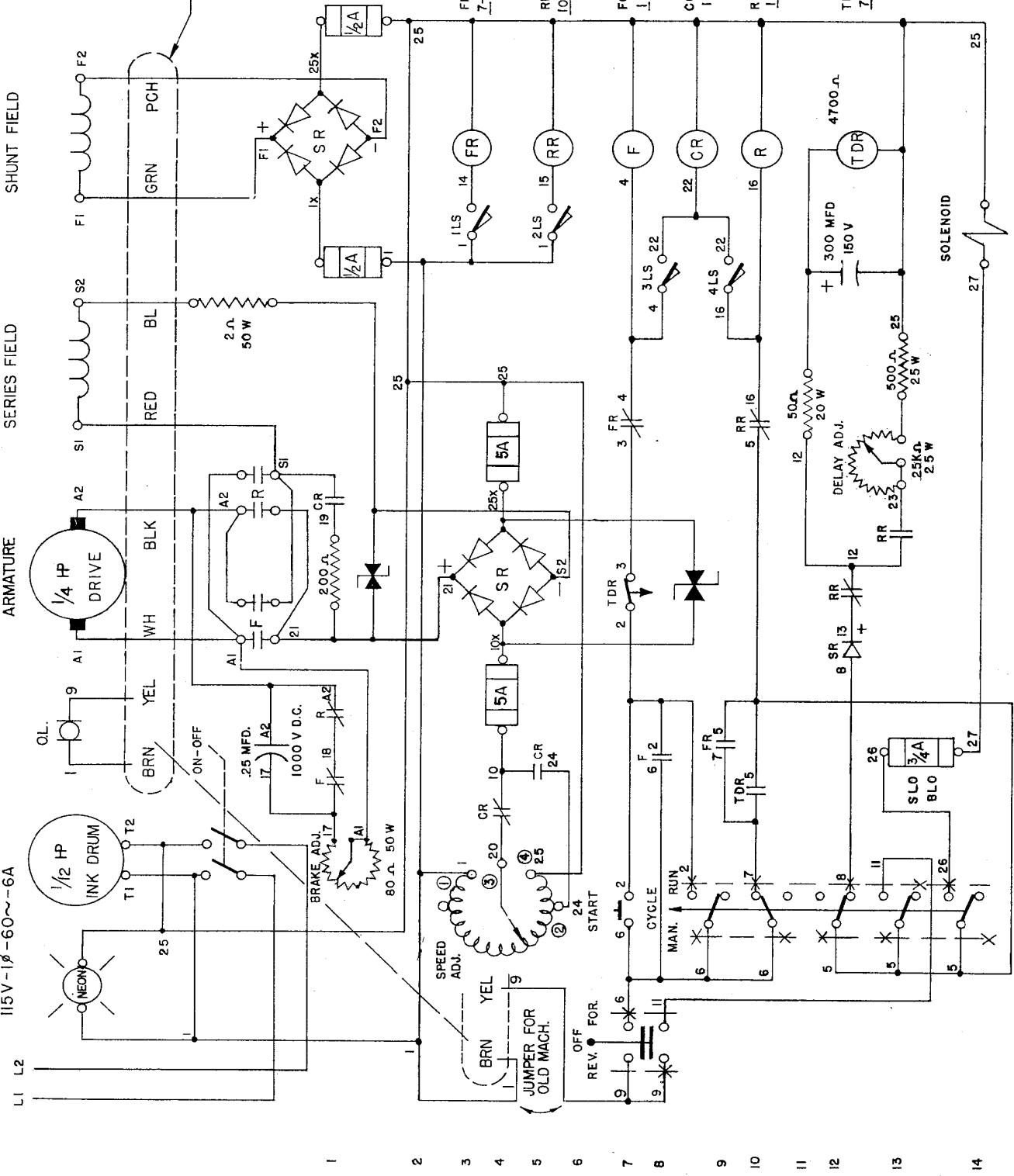
SERIES FIELD

ARMATURE

115V-1ϕ-60~6A

1/2 HP
 INK DRUM

1/4 HP
 DRIVE



POWER DRIVE WITH AUTOMATIC
 TAPE DELIVERY & AUTOMATIC
 GRIPPER OPENER.

UNIVERSAL III

SHEET NO. 219 A

L.U. NO. 27
 NOT USED
 F.U. 22025